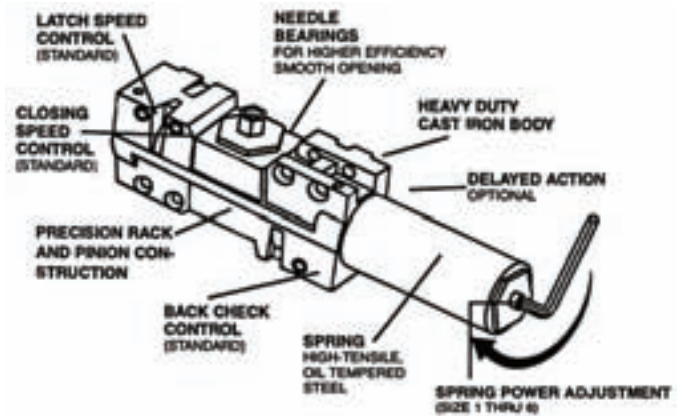


**DC40****CLOSERS****GRADE 1****EXTRA HEAVY DUTY COMMERCIAL DOOR CLOSER****DC40 series Stocked Finishes**

**Regular Arm:** Aluminum, Duro, US3, US26  
**Other arm options** Aluminum and Duro

**FEATURES**

- Tri-Pack with regular, parallel and top-jamb mounting, instructions and full size template.
- Barrier free spring adjustment from size 1 to 6.
- Non handed
- Standard with adjustable sweep, latch and back check.
- Full plastic cover
- **SRT** - Self reaming and tapping screws.
- Standard hole pattern and mounting location.

**OPTIONS**

- **DA** - Delay Closing Action.
- **H** - Friction Hold-Open Non-Handed Arm
- **EDA** - Extra Duty Arm.
- **HEDA** - Hold open Extra Duty Arm.
- **CUSH** - Heavy Duty Parallel Mount Cush Arm.
- **HCUSH** - Heavy Duty Parallel, Hold-Open Cush Arm.
- **PDC4018** - Drop Plate, Pull-side Mount
- **PDC4018G** - Drop Plate - Top Jamb Drop Down Plate
- **PDC4018PA** - H Drop Plate - Parallel Arm Mount Plate
- **PDC4018TJ** - Back Plate - Top Jamb Mount Plate.

**Shipping Weight**

- DC40 = 12lbs
- DC70= 7lbs
- DC50= 6lbs
- DC90= 6lbs

**SPECIFICATIONS**

**Closer** – Closers shall be by **TA** model number DC40, full rack and pinion type with cast iron body. All closers shall be provided with non-critical valves with hex-key adjustment to independently regulate the sweep, latch and back-check. Closer shall have full spring adjustment from size 1 to size 6 and be pre-adjusted at the factory to size 3. Each closer shall be adjusted for each door condition. Closers shall be non-handed, with full cover and narrow projection of 2-1/4" from the surface of the door. All closers shall be mounted to allow the maximum degree of swing.

**CODE COMPLIANCE**

- ANSI A156.4 Grade 1 UL10C and UBC 7.2 for positive pressure.
- ANSI A117.1 and ADA for barrier-free accessibility
- C-UBC - California Uniform Builders Code - 2001
- California State Fire Marshall (CSFM) approved

**25 YEAR WARRANTY****PACKAGING INFORMATION**

4 Closers per shipping carton.

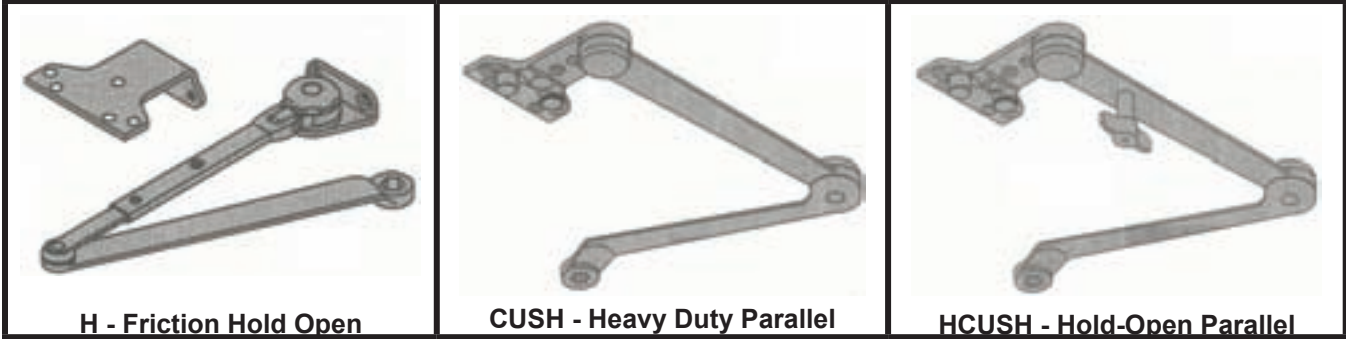


**DOOR HARDWARE**  
[www.tahardware.com](http://www.tahardware.com)

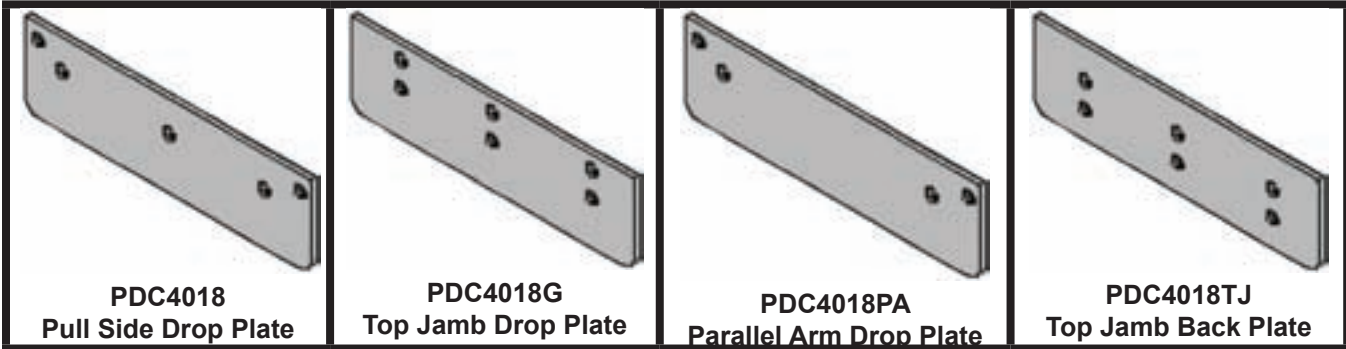
# DC40

## CLOSERS

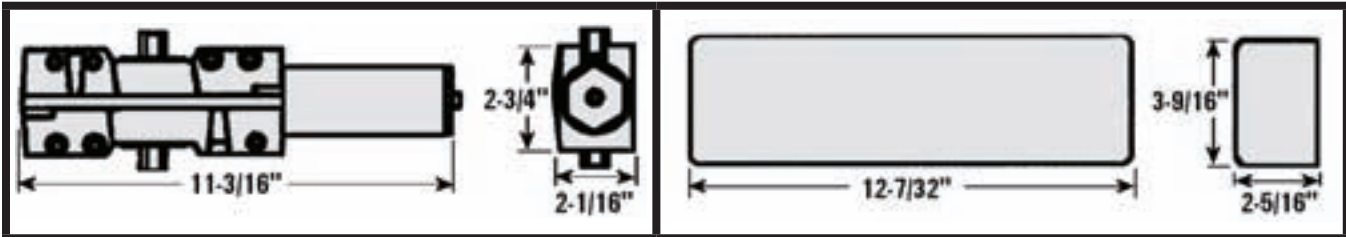
### DOOR CLOSER ARMS



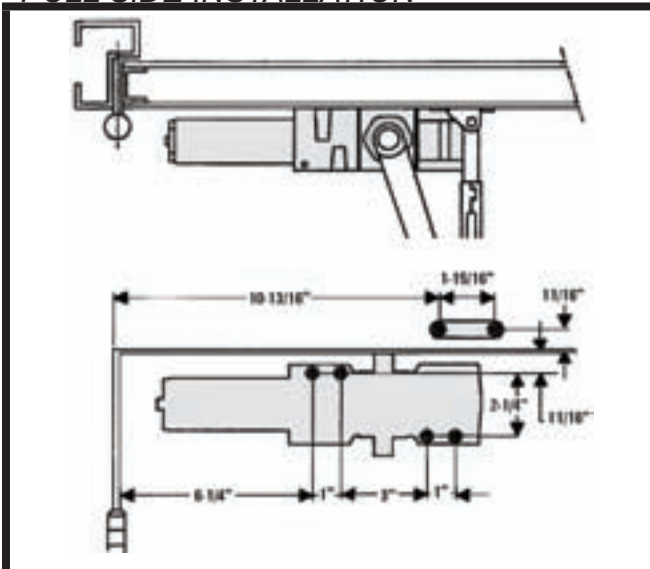
### DOOR CLOSER BACK PLATES



### DOOR CLOSER AND COVER



### PULL SIDE INSTALLATION



### PUSH SIDE INSTALLATION

