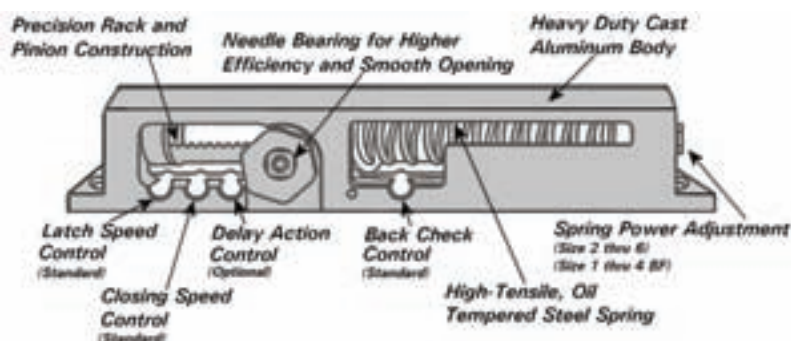


DC70**CLOSERS****GRADE 1****HEAVY DUTY COMMERCIAL DOOR CLOSER****DC70 series Stocked Finishes**

Regular Arm Aluminum, Duro, Gold, US14, US15, US3, US26

Other arm options Aluminum and Duro

FEATURES

- Tri-Pack with regular, parallel and top-jamb mounting, instructions and full size template.
- Standard spring adjustment from size 2 to 6
- Non handed
- Standard with adjustable sweep, latch and back check.
- Full plastic cover
- **SRT** - Self Reaming and Tapping Screws.
- Standard hole pattern and mounting location.

OPTIONS

- **BF** - Barrier free spring adjustment from size 1 to 4
- **DA** - Delay Closing Action.
- **H** - Friction Hold-Open Non-Handed Arm.
- **CUSH** - Heavy Duty Parallel Mount Cush Arm.
- **HCUSH** - Heavy Duty Parallel, Hold-Open Cush Arm.
- **PDC7018** - Drop Plate, Pull-side Mount
- **PDC7018TJ** - Back Plate - Top Jamb Mount Plate.

Shipping Weight

- **DC40** = 12lbs
- **DC70** = 7lbs
- **DC50** = 6lbs
- **DC90** = 6lbs

SPECIFICATIONS

Closer – Closers shall be by **TA** model number DC70 and DC70BF, full rack and pinion type with cast aluminum alloy body. All closers shall be provided with non-critical hex-key adjustment to independently regulate the sweep, latch and back-check. Closers shall be non-handed with full cover and projection of 2-1/2" from the surface of the door. Closer shall have full spring adjustment from size 1 to size 4 for barrier free (BF) size and size 2 to size 6 for standard size. The closer shall be pre-adjusted at the factory to 2 size for DC70BF and size 3 for DC70. Each closer shall be adjusted for each door condition and mounted to allow the maximum degree of swing.

CODE COMPLIANCE

- ANSI A156.4 Grade 1 UL10C and UBC 7.2 for positive pressure.
- ANSI A117.1 and ADA for barrier-free accessibility
- C-UBC - California Uniform Builders Code - 2001
- California State Fire Marshall (CSFM) approved.

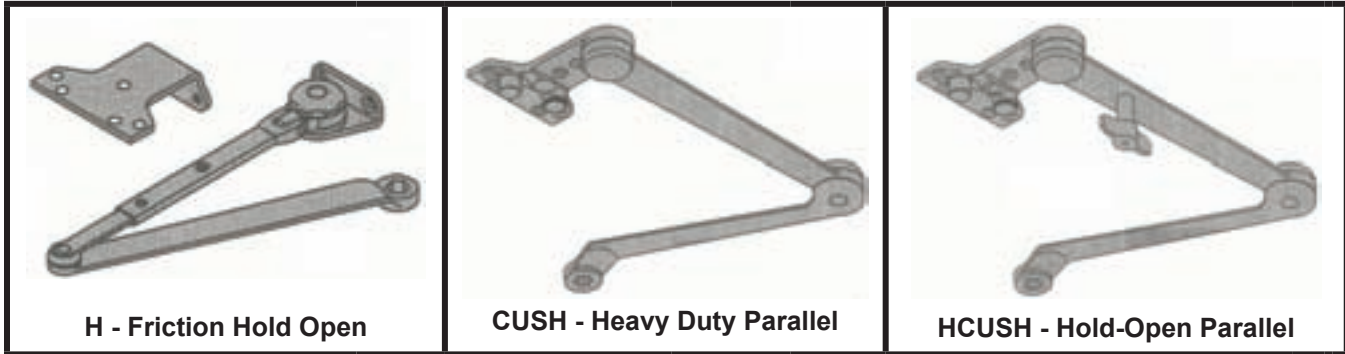
25 YEAR WARRANTY**PACKAGING INFORMATION**

- 6 Closers per shipping carton.

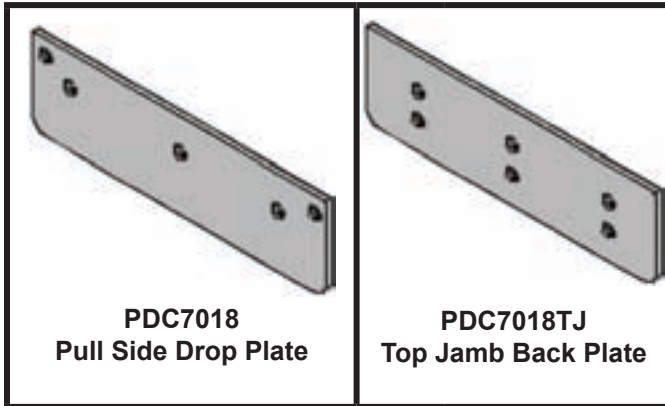


DOOR HARDWARE
www.tahardware.com

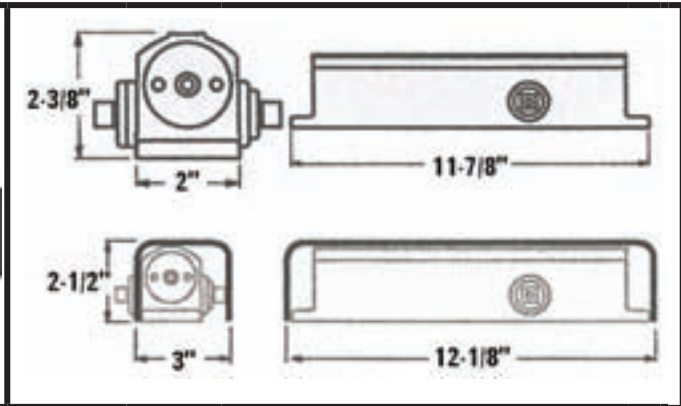
DOOR CLOSER ARMS



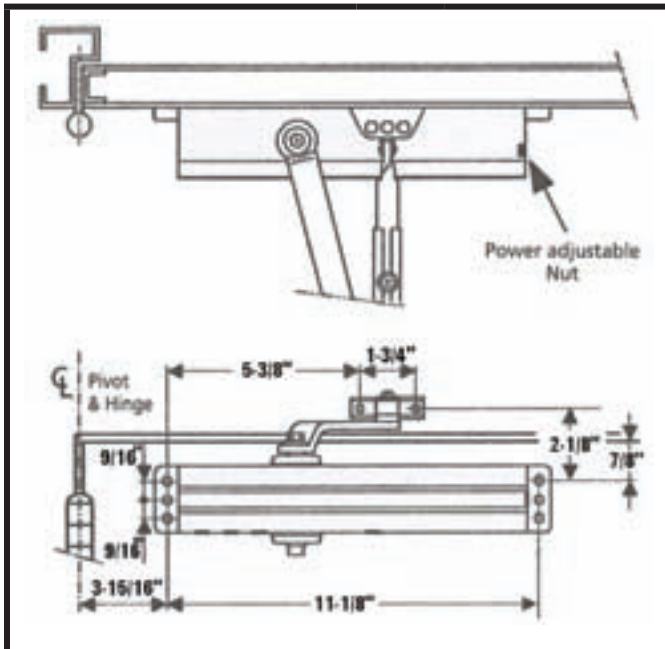
CLOSER BACK PLATES



DOOR CLOSER AND COVER



PULL SIDE INSTALLATION



PUSH SIDE INSTALLATION

