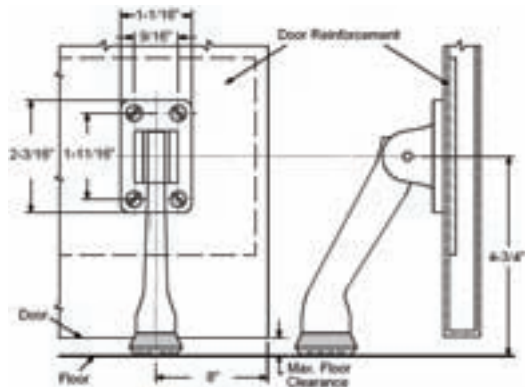
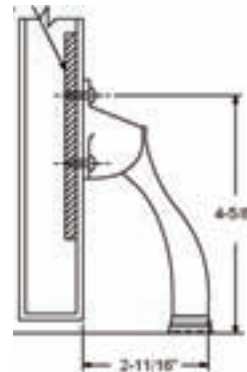


**DOOR HOLDERS**

**SH1135**  
Drop Down Door Holder



**SH1235BR**  
Drop Down Door Holder

**FEATURES**

- **SH1135** – 5" Cast Alloy Holder.
- **SH1235BR** – 5" Cast Brass Holder.
- Stops Individually wrapped with Mounting Screws.
- Polybagged 4 Sheet Metal Screws.

**SPECIFICATIONS**

**Door Holders** – Door holders shall be by **TA** model number SH1135, 5" made of cast alloy or SH1235BR, 5" cast brass. All holders to be provided with steel Phillips sheet metal screws plated to match finish. Each door holder shall be individually wrapped with mounting screws.

**Stocked Finishes**

SH1135 Aluminum/Duro  
SH1235BR US3, 10B, 26D

**1 YEAR WARRANTY**

**DOOR HARDWARE**  
[www.tahardware.com](http://www.tahardware.com)