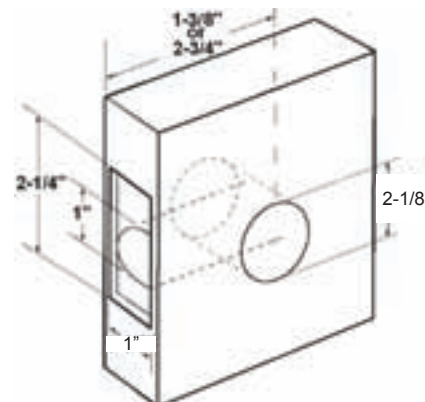
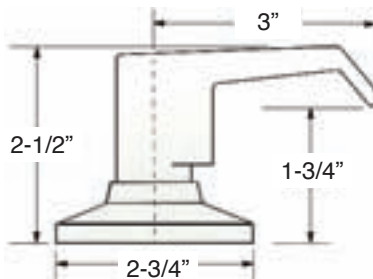


ECL**LOCKSETS****GRADE 3****RESIDENTIAL CYLINDRICAL LEVER LATCHSET****LEV Lever****FEATURES**

- Non-Handed and Reversible.
- **PECL-SLADJ** - Adjustable Backset, 2-3/8" or 2-3/4" 1" x 2-1/4" Faceplate Spring Latch
- **PLK-T** - 1-1/4" x 2-3/4" - "T" Strike.
- LEV Lever Trim Only.
- Barrier Free.

ECL series Stocked Finishes

LEV design US3, 10B 26D

SPECIFICATIONS

Lockset – Shall be by **TA** model number ECL series. All Locks or latches shall be non-handed and reversible. Chassis shall be cold rolled steel mechanism. Levers to be Levon design, solid zinc die-cast.

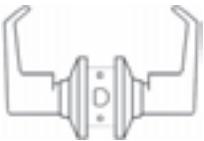


OPTIONS

- **PLK-FL** - 1-1/4" x 2-1/4" Full Lip Strike.
- **PLK-ASA** - 1-1/4" x 4-7/8" ASA Strike.

CODE COMPLIANCE

- ANSIA117.1 and ADA for barrier-free accessibility
- NFPA-101 National Fire Protection Life Safety - 2000

FUNCTIONS**1 YEAR WARRANTY**

<p>ECL10 Passage</p>  <p>-Latch by lever either side. -Both levers always free.</p>	<p>ECL40 Privacy</p>  <p>- Latch by lever either side. - Outside lever locked by push button. - Outside lever unlocked by emergency release or by rotating inside lever. Inside lever always free.</p>	<p>ECL170 Dummy</p>  <p>- Lever acts as pull only. - No operation.</p>
---	--	--



DOOR HARDWARE
www.tahardware.com