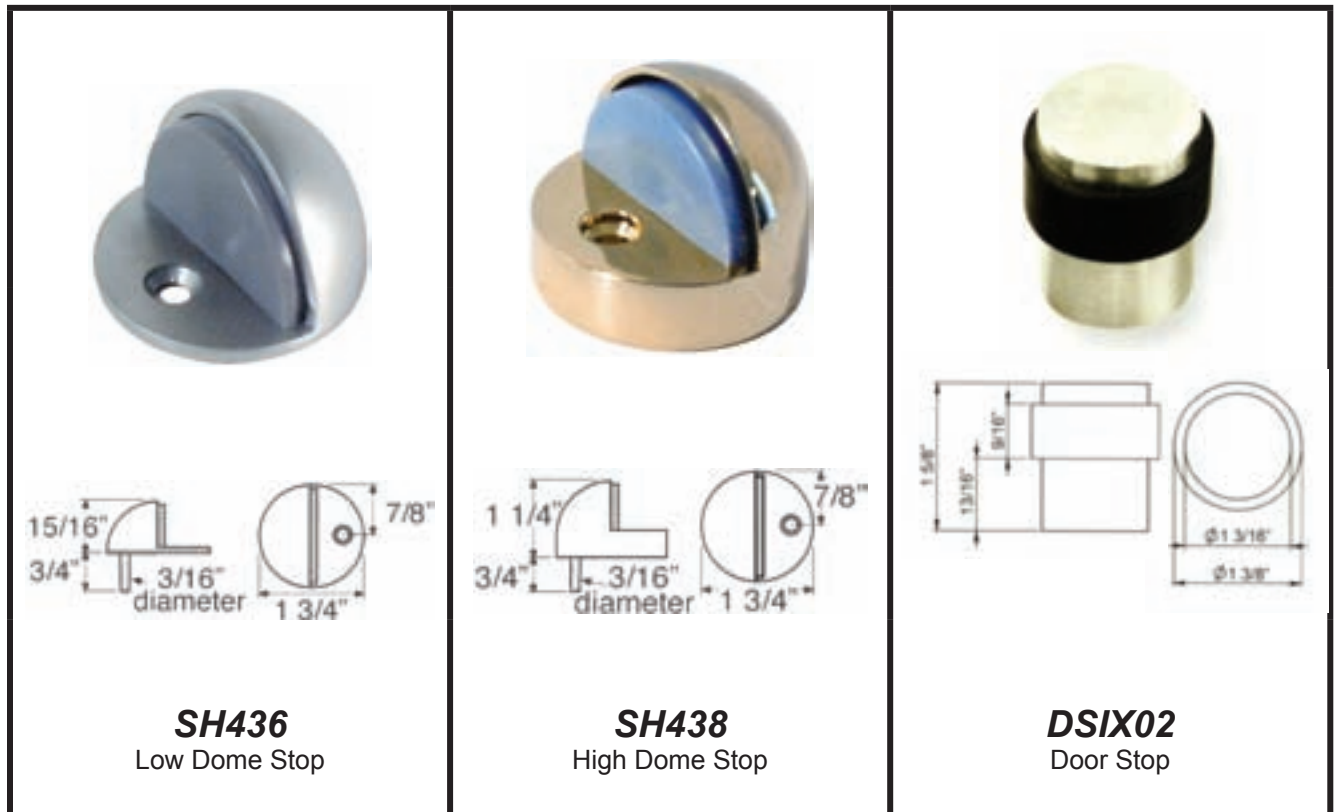


SH**GENERAL HARDWARE****FLOOR STOPS****FEATURES**

- **SH436** - 1/4" Rise x 1 Low Dome Stop.
- **SH438** - 1/2" Rise x 1-1/4" High Dome Stop.
- **DSIX02** - 1-3/8" x 1-5/8" Height Door Stop
- All Floor Stops are Cast Brass
- Stops Individually wrapped with Mounting Screws.
- Polybagged with:
 - 1 Plastic Anchor
 - 1 Sheet Metal Screw
 - 1 Lead Anchor

SPECIFICATIONS

Stops and Holders - Stops and holders shall be by TA model number SH436, SH438 and DSIX02. SH436 and SH438 are made from cast brass. DSIX02 is made from Stainless Steel Satin 32D finish. All stops to be provided with steel Phillips sheet metal screws plated to match finish. Each Stop shall be individually wrapped with mounting screws.

CODE COMPLIANCE

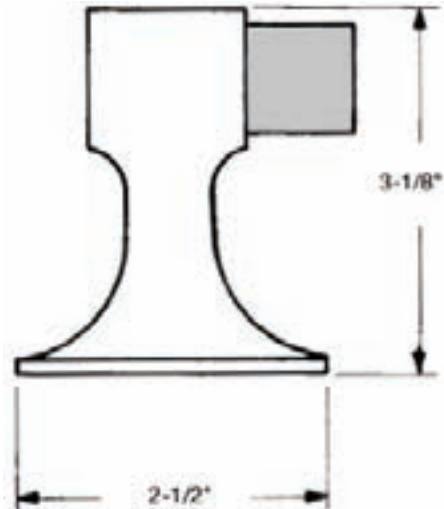
- C-UBC - California Amended Uniform Builders Code.
- NFPA 80 - National Fire Protection Association.
- NFPA 101 - National Fire Protection Assoc.- Life Safety.

1 YEAR WARRANTY

DOOR HARDWARE
www.tahardware.com

SH**GENERAL HARDWARE****FLOOR MOUNTED STOPS**

SH444
Floor Mount Stop

**FEATURES**

- **SH444** - 3-1/8" High Floor Stop.
- Solid Cast Brass.
- Stops Individually wrapped with Mounting Screws.
- Polybagged with:
 - 1 Plastic Anchor
 - 1 Sheet Metal Screw
 - 1 Lead Anchor

SPECIFICATIONS

Stops - Stops shall be by **TA** model number SH444 and made from solid cast brass. All stops to be provided with steel Phillips sheet metal screws plated to match finish. Each Stop shall be individually wrapped with mounting screws.

CODE COMPLIANCE

- ANSI A156.16 L12131
- Fed Spec #1328E
- C-UBC - California Uniform Builders Code
- NFPA 80 - National Fire Protection Association.
- NFPA 101 - National Fire Protection Assoc.- Life Safety

1 YEAR WARRANTY

DOOR HARDWARE
www.tahardware.com