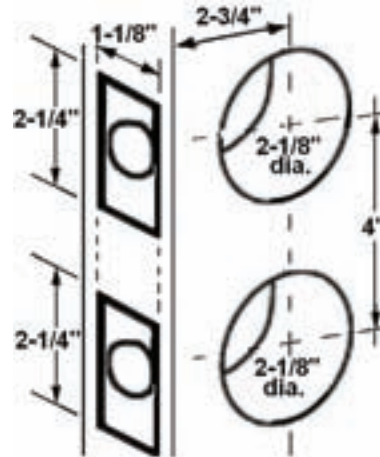


GRADE 2**SIMULTANEOUS RETRACTION INTERCONNECTED GRADE 2 LOCK.
Cylindrical Lever Chassis****FEATURES**

- **LEVER** – Saturn (SAT) or Sparta (SPA) trim with Return Under 1/2" from Door Face.
- **ESCUTCHEON** - 6-7/8" x 2-5/8" Brass Interconnecting Plate
- **LATCHBOLT** - 2-3/4" Backset, UL 3 Hour Fire Listed with 1/2" Throw. (2-3/8" Backset Optional)
- **DEADBOLT** - 2-3/4" Backset, 1" Throw Brass with Hardened Steel Pins.
- **PLK-T** - T Strikes & 1-1/8" x 2-3/4" Latch Strike.
- **PDB-S** – Deadbolt Strikes & 1-1/8" x 2-3/4" Deadbolt Strike.
- Schlage "C" 6 Pin Keyway.

FUNCTIONS**SIL10 - Single Locking**

Deadbolt thrown or retracted by deadbolt key or inside thumb turn. Outside lever always retracts latch. Inside lever simultaneously retracts deadbolt and latch for immediate egress.

SIL53 - Double Locking

Deadbolt may be thrown or retracted by outside key or inside thumb turn. The lever may be locked or unlocked by key or rotating inside turn button. Turning inside lever always simultaneously retracts both deadbolt and latch for immediate egress.

SIL series Stocked Finishes

Saturn 10B , 26D

Sparta 26D

SPECIFICATIONS

Simultaneous Retraction Lockset. Standard duty grade 2, UL listed, cylindrical lockset and interconnected standard duty deadbolt allowing high security double locking and single action egress. Turning the inside lever always retracts *BOTH* the latch and deadbolt. Non-handed and provided with thru-bolts for proper installation. Levers to be Saturn or Sparta design.

CODE COMPLIANCE

- ANSI A156.2 Grade 1, UL10C and UBC 7.2 for positive pressure.
- ANSI A117.1 ADA Barrier-free Accessibility
- C-UBC California Uniform Builders Code -2001
- NFPA-80 National Fire Protection -1999
- NFPA-101 National Fire Protection Life Safety - 2000
- 3 hour UL Rated Latches
Deadbolt is non UL

1 YEAR WARRANTY

DOOR HARDWARE
www.tahardware.com