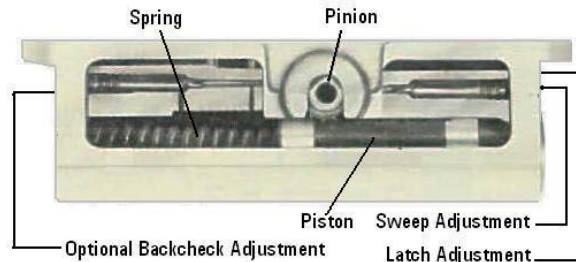


DC50**CLOSERS****GRADE 2****ECONOMY COMMERCIAL DOOR CLOSER****FEATURES**

- Tri-Pack with regular, parallel and top-jamb mounting, instructions and full size template.
- Standard Closer Spring Sized to 3, 4 with NO adjustment.
- Non handed
- Standard with adjustable sweep, latch.
- Slimline Plastic Cover
- **SNB** – Sex Nuts
- Standard hole pattern and mounting location.

OPTIONS

- **BC** - Backcheck Adjustment Valve
- **SIZE 2, 5-** available - special order only

SPECIFICATIONS

Closer – Closers shall be by **TA** model number DC50, full rack and pinion type closer with cast aluminum alloy body. All closers shall be provided with non-critical valves with flat head adjustment to independently regulate the sweep and latch. Closers shall be non-handed with projection from the face of the door of 1-7/8' without cover and 3" with cover. Closer shall have set spring size and be mounted to allow the maximum degree of swing.

CODE COMPLIANCE

- ANSI A156.4 Grade 1 UL10C and UBC 7.2 for positive pressure.
- C-UBC - California Uniform Builders Code – 2001
- California State Fire Marshall (CSFM) approved

10 YEAR WARRANTY**PACKAGING INFORMATION**

10 Closers per shipping carton

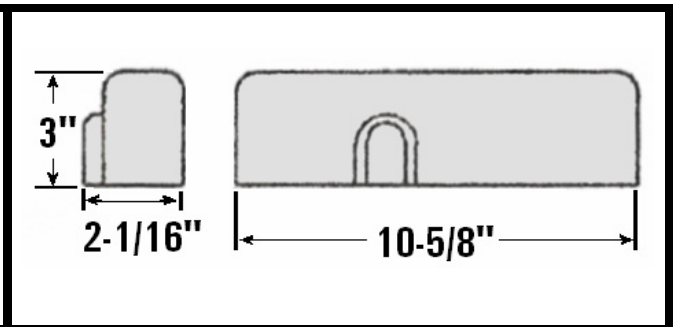
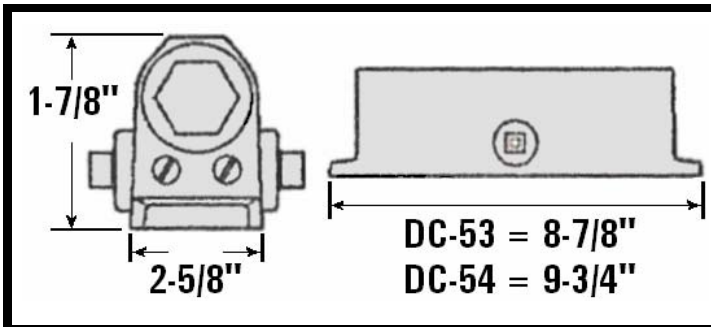


DOOR HARDWARE
Ph. 800-755-6926 Fax 800-898-3944

GRADE 2

CLOSER BODY

PDC-SLM - SLIM LINE COVER



PULL SIDE INSTALLATION

PUSH SIDE INSTALLATION

MODEL	A	B	C	D	E
DC-53	8-3/16"	4"	6-1/2"	1"	2-3/8"
DC-54	9-1/16"	4"	6-1/2"	1"	2-3/8"

MODEL	A	B	C	D
DC-53	8-3/16"	8-3/4"	5-5/8"	3-3/8"
DC-54	9-1/16"	8-5/16"	4-3/4"	3-3/8"

