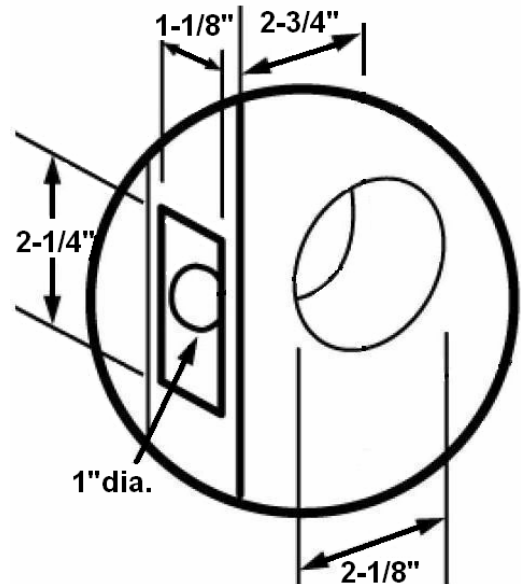
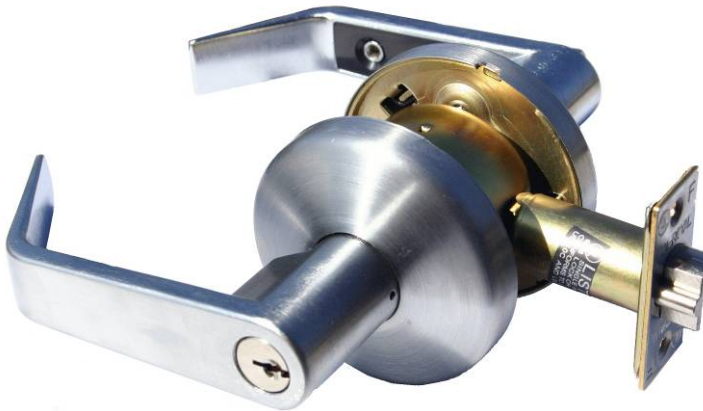


MEDIUM DUTY COMMERCIAL CYLINDRICAL LEVER LOCKS**FEATURES**

- Non-Handed and Reversible.
- 2-3/4" Backset, 1-1/8"x 2-1/4" Face Plate.
- **PLK-ASA** - 4-7/8" x 1-1/4" ASA Strike.
- Schlage "C" 6 Pin Keyway Standard.
- Saturn and Sparta Lever Trim.
- Barrier Free and Returns within 1/2" from the Door Face.

OPTIONS

- **PLDV-SL238** - 2-3/8" Backset, Spring Latch.
- **PLDV-DL238** - 2-3/8" Backset, Dead Latch.
- 1" x 2-1/4" Latch & Dead-Latch Available.
- **PLK-FL** - 2-1/4" x 1-1/4" Full Lip Strike.
- **PLK-T** - 2-3/4" x 1-1/4" - "T" Strike.

SPECIFICATIONS

Lockset – Lock or latchset shall be by **TA** model number LDV series. All Locks or latches shall be non-handed and reversible. Chassis shall be heavy gauge cold rolled steel mechanism. Levers to be Saturn design, solid zinc die-cast. Rose assembly to have independent lever springs and thru-bolts for proper installation.

CODE COMPLIANCE

- ANSI A156.2 Grade 1, UL10C and UBC 7.2 for positive pressure.
- ANSI A117.1 ADA Barrier-free Accessibility
- C-UBC California Uniform Builders Code -2001
- NFPA-101 National Fire Protection-Life Safety-2000

1 YEAR WARRANTY

DOOR HARDWARE
Ph. 800-755-6926 Fax 800-898-3944