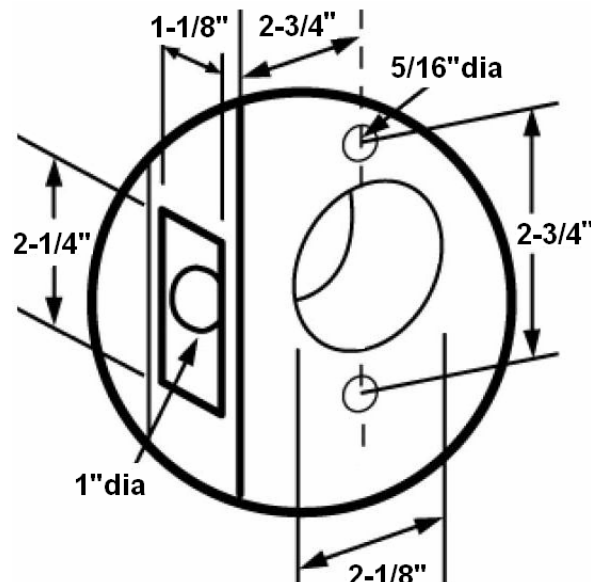


LHV**LOCKSETS****GRADE 1****HEAVY DUTY COMMERCIAL CYLINDRICAL LEVER LOCKS****FEATURES**

- Non-Handed and Reversible.
- 2-3/4" Backset, 1-1/8"x 2-1/4" Face Plate, UL 3 Hour Fire Listed Stainless Steel Latch or Dead-latch.
- **PLK-ASA** - ANSI 1-1/4"x4-7/8" Strike.
- Schlage "C" 6 Pin Keyway Standard.
- Saturn and Sparta Lever Trim.
- Barrier Free and Returns within 1/2" from the Door Face.

OPTIONS

- **CL** - Clutch Function - Lever Rotates without Unlatching Lock.
- **IC** - Best Type Figure 8 Interchangeable lever. Interchangeable Core *NOT* included. See Cylinder Section.
- **PLHV-SL238** - 2-3/8" Backset, Spring Latch.
- **PLHV-DL238** - 2-3/8" Backset, Dead Latch.
- **PLK-FL** - 2-1/4" x 1-1/4" Full Lip Strike.
- **PLK-T** - 2-3/4" x 1-1/4" - "T" Strike.

SPECIFICATIONS

Lockset - Lock or latchset shall be by **TA** model LHV series. All Locks or latches shall be non-handed and provided with 3 hour listed stainless steel dead latch or spring latch. Lock chassis shall be stainless steel, steel bar and cold rolled steel case with ball-bearing roller retractors. Levers to be Saturn (or Sparta) design, solid zinc die-cast **WITHOUT** plastic inserts. Rose assembly to have independent lever springs and thru-bolts for proper installation.

CODE COMPLIANCE

- ANSI A156.2 Grade 1, UL10C and UBC 7.2 for positive pressure.
- ANSI A117.1 ADA Barrier-free Accessibility
- C-UBC California Uniform Builders Code -2001
- NFPA-80 National Fire Protection -1999
- NFPA-101 National Fire Protection-Life Safety-2000

3 YEAR WARRANTY

DOOR HARDWARE
Ph. 800-755-6926 Fax 800-898-3944