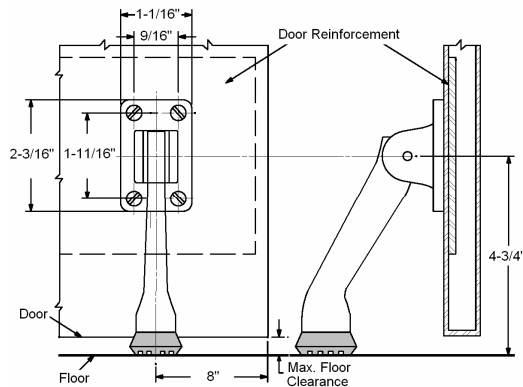
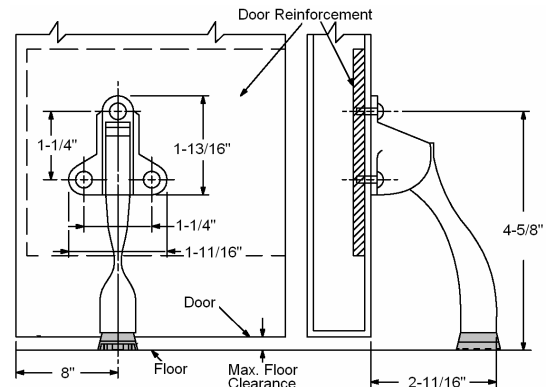


DOOR HOLDERS**SH1135****Drop Down Door Holder****SH1235BR****Drop Down Door Holder****FEATURES**

- **SH1135** – 5" Cast Alloy Holder.
- **SH123BR** – 5" Cast Brass Holder.
- Stops Individually Wrapped with Mounting Screws.
- Polybagged with 3 or 4 Sheet Metal Screws.

SPECIFICATIONS

Door Holders – Door holders shall be by TA model number SH1135, 5" made of cast alloy or SH1235BR, 5" cast brass. All holders to be provided with steel Phillips sheet metal screws plated to match finish. Each door holder shall be individually wrapped with mounting screws.

1 YEAR WARRANTY