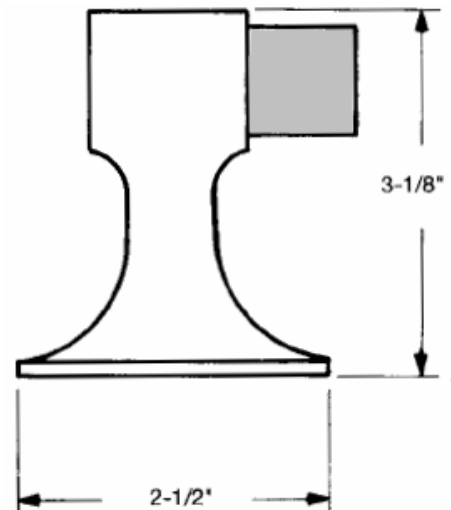


SH**GENERAL HARDWARE****FLOOR MOUNTED STOPS**

SH444
Floor Mount Stop

**FEATURES**

- **SH444** - 3-1/8" High Floor Stop.
- Solid Cast Brass.
- Stops Individually Wrapped with Mounting Screws.
- Polybagged with:
 - 1 Plastic Anchor
 - 1 Sheet Metal Screw
 - 1 Lead Anchor

SPECIFICATIONS

Stops - Stops shall be by **TA** model number SH444 and made from solid cast brass. All stops to be provided with steel Phillips sheet metal screws plated to match finish. Each Stop shall be individually wrapped with mounting screws.

CODE COMPLIANCE

- ANSI A156.16 L12131
- Fed Spec #1328E
- C-UBC - California Uniform Builders Code
- NFPA 80 - National Fire Protection Association.
- NFPA 101 - National Fire Protection Assoc.- Life Safety

1 YEAR WARRANTY

DOOR HARDWARE
Ph. 800-755-6926 Fax 800-898-3944